



**TOWNSHIP OF FREEHOLD
APPLICATION FOR PERMIT
EXCAVATING WITHIN TOWNSHIP RIGHT-OF-WAY**

Applicant agrees to comply with the latest Ordinances of Freehold Township
(To be completed by applicant)

Date:

Applicant Information:

Name: City, State,
Zip:

Address: Phone #:

Email:

Property Owner Information: Check if Applicant. If different, fill out below.

Name: City, State,
Zip:

Address: Phone #:

Email:

Underground Utility Clearance:

1-800-272-1000 Reference #:

- Proposed Construction Consists of:
- Utility (Gas, Water, etc.)
 - Sanitary Sewer
 - Storm Sewer
 - Curb Repair or Replacement
 - Sidewalk Repair or Replacement
 - Driveway Apron Repair or Replacement

Reason for Excavation:

Describe Exact Location of Excavation:

Trench Details: Length: Width: Depth:

Sidewalk Details: Length: Width:

Driveway Apron Details: Length: Width: Curb Length:

Fee Schedule:

Application Fee (Non-Refundable) Cash Check \$166.00

Surety Bond (Refundable) Cash Certified Check \$500.00

Surety Bond Posted By:

Applicant Name: _____ Date: _____ Phone # _____

Township Engineer: _____

PERMIT FOR EXCAVATING WITHIN RIGHT-OF-WAY

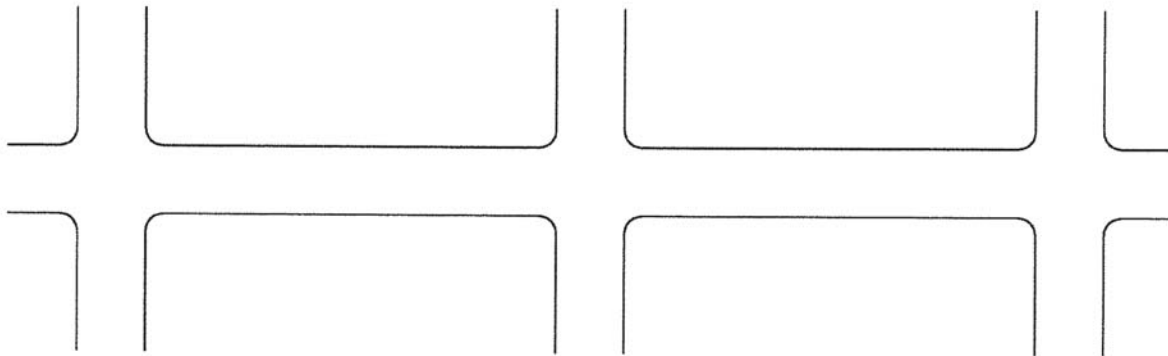
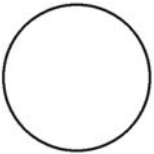
(To Be Completed By Freehold Township)

Permit Number: _____ Date: _____

Signed: For Freehold Township Committee

Township Clerk: _____

SKETCH FOR PROPOSED EXCAVATION

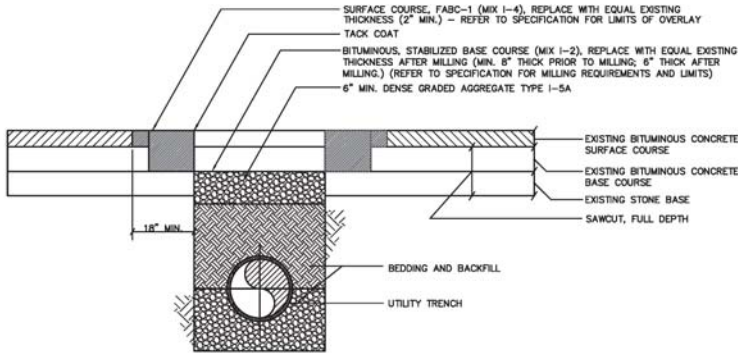


General Notes for Sketch:

1. Draw the excavation location on the sketch. Label the dimensions of the trench.
2. Add house locations and numbers (if applicable), as well as street names.
3. Add and label any other details such as curb, sidewalk, etc. (if applicable)
4. All work in the R.O.W. must be in accordance with the Township Construction Details.

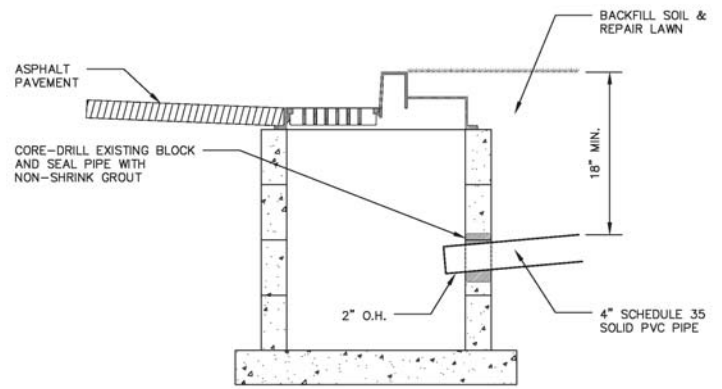
CONSTRUCTION DETAILS FOR EXCAVATING IN THE TOWNSHIP RIGHT-OF-WAY

Circle relevant construction detail(s)

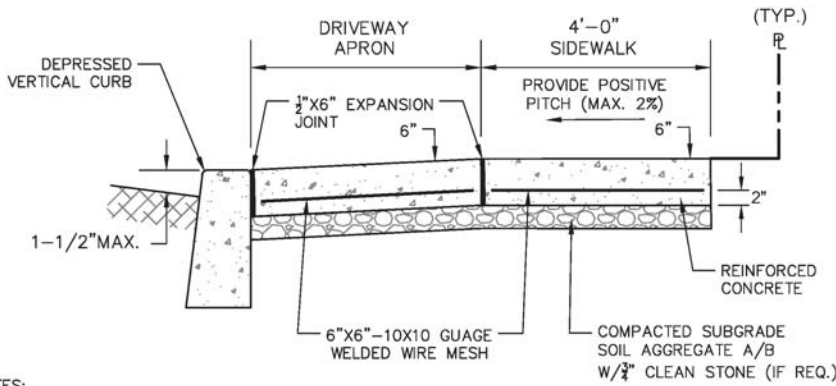


- NOTE:
1. WHEN THE EDGE OF TRENCH IS WITHIN 4' OR LESS OF THE EXISTING EDGE OF ROAD, FULL DEPTH PAVEMENT SHALL BE CONSTRUCTED TO THE EXISTING EDGE OF ROAD. CARE SHALL BE TAKEN TO MAINTAIN THE EXISTING CURB FACE.
 2. REFER TO TRENCH DETAIL FOR BACKFILL LIFTS AND REQUIRED COMPACTION DENSITY.
 3. PAVEMENT DETAILS REFLECT FINAL RESTORATION; REFER TO SPECIFICATIONS FOR LIMITS OF PAVEMENT RESTORATION AND TEMPORARY PAVEMENT REQUIREMENTS.

PAVEMENT RESTORATION DETAIL
(NOT TO SCALE)

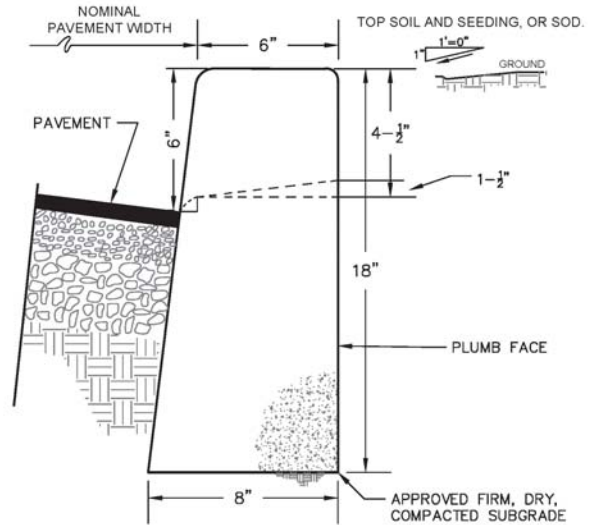


CONNECTION TO EXISTING INLET
NOT TO SCALE



- NOTES:
1. NO MONOLITHIC POURS FOR DEPRESSED CURB AND APRON.
 2. ALL CONCRETE SHALL BE NJDOT CLASS "B" CONCRETE.

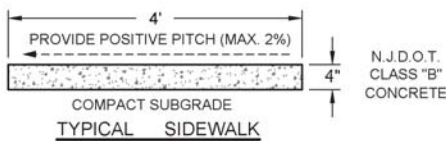
TYPICAL CONCRETE DRIVEWAY APRON & SIDEWALK



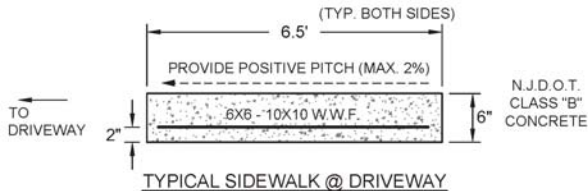
TYPICAL CONCRETE CURB DETAIL

CURB NOTES

1. PROVIDE 1/2" EXPANSION JOINTS AT 10' - 0" O.C. MAXIMUM WITH 1/4" RADIUS AT JOINT EDGES.
2. EXPANSION JOINT MATERIAL TO BE PREMOLDED ASPHALT IMPREGNATED, CELLULAR TYPE JOINT FILLER, STRAIGHT AND PLUMB, AND 1/2" THICK MINIMUM - AASHTO - M153 TYPE III INSET 1/4" FROM FACE TO TOP.
3. PROVIDE EXPANSION JOINT BETWEEN CURB AND ADJACENT CONCRETE PAVEMENT, SIDEWALK AND/OR DRIVEWAY APRONS.
4. HOT - Poured RUBBER ASPHALT JOINT SEALER SHALL BE APPLIED TO PAVEMENT/CURB JOINT AS DIRECTED.
5. TOP AND FACE TO RECEIVE WOOD FLOAT FINISH TO AN EVEN, SMOOTH, DENSE SURFACE.
6. ALL CONCRETE SHALL BE NJDOT CLASS "B" CONCRETE.



TYPICAL SIDEWALK



TYPICAL SIDEWALK @ DRIVEWAY

SIDEWALK NOTES:

1. ALL CONCRETE PLACED BETWEEN NOVEMBER 15 AND APRIL 1 MUST CONFORM TO ARTICLES 501.11 AND 501.17 OF THE N.J.D.O.T. STANDARD SPECIFICATIONS FOR ROAD AND BRIDGE CONSTRUCTION, 1983 EDITION, USING 2% CALCIUM CHLORIDE HOT WATER, COVERED WITH SALT HAY.
2. WHERE SIDEWALK CROSSES DRIVEWAY, THE MINIMUM THICKNESS SHALL BE 6 INCHES AND REINFORCED WITH 6" X 6", #5 WIRE MESH.
3. SLUMP TEST: 3" - > 4".
4. EXPANSION JOINTS EVERY 12', CONSTRUCTION JOINTS EVERY 4' AT A DEPTH OF 1/4 THICKNESS.
5. ALL CONCRETE SHALL BE NJDOT CLASS "B" CONCRETE.